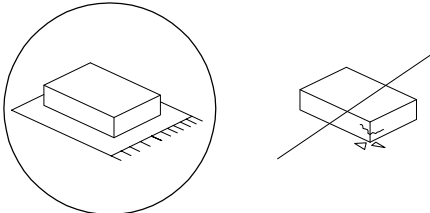


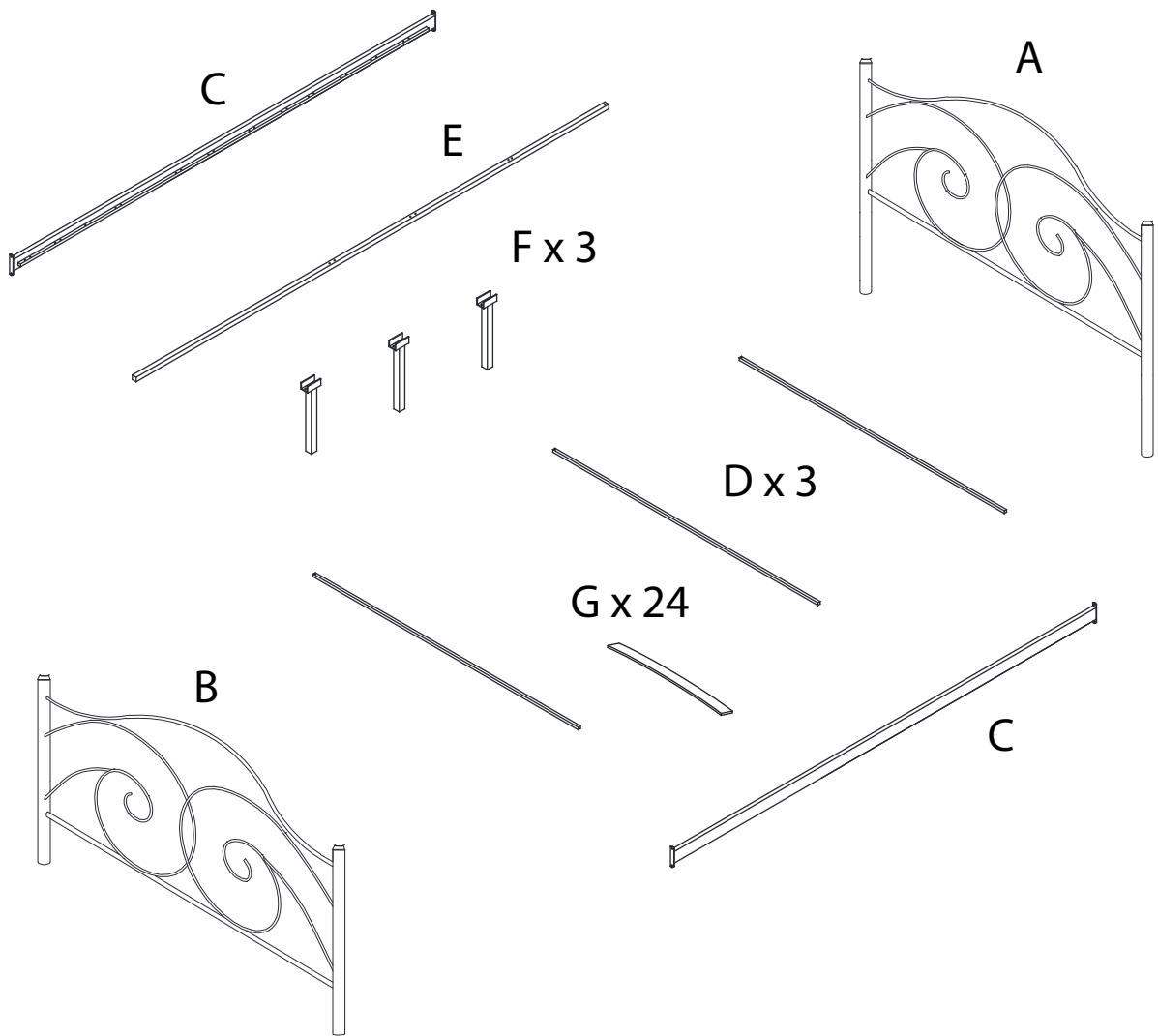
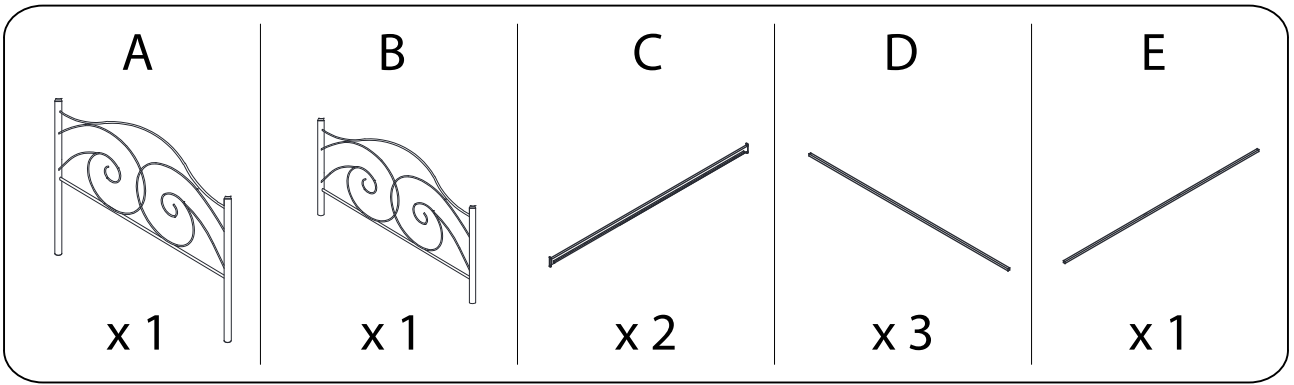
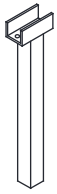

		<p>45'</p>
		
		<p>2</p>

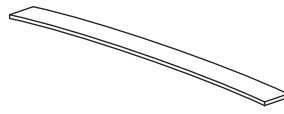


F



x 3

G



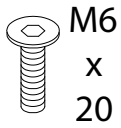
x 24

H



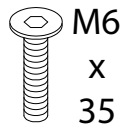
x 4

J



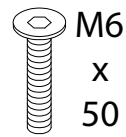
x 8

K



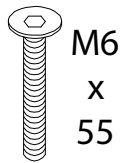
x 5

L



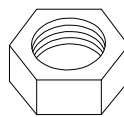
x 6

M



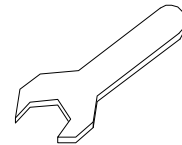
x 3

O



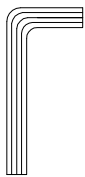
x 14

P



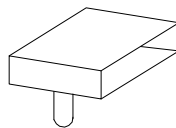
x 1

Q



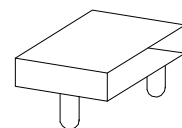
x 1

R



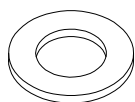
x 24

S



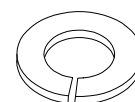
x 12

T



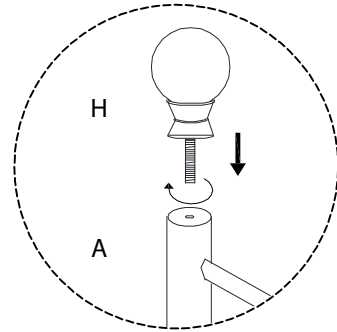
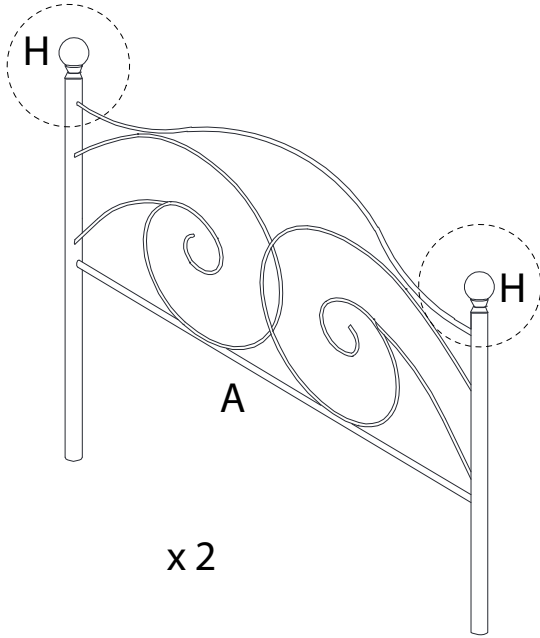
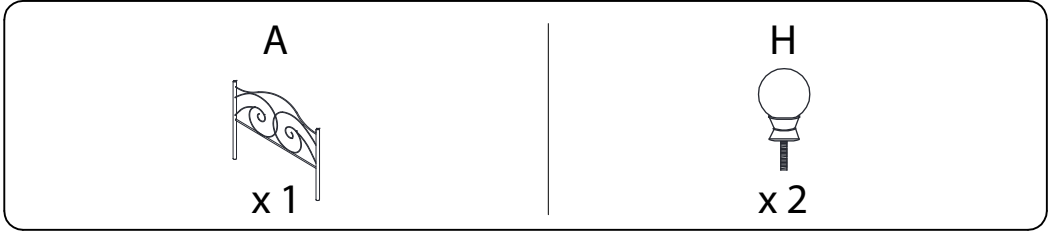
x 18

U

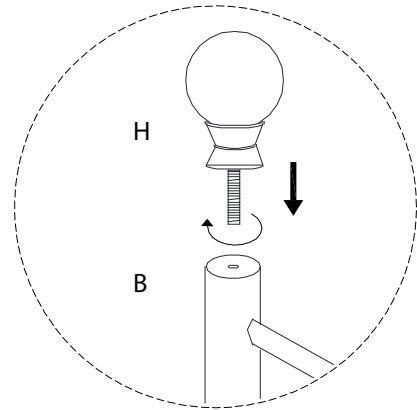
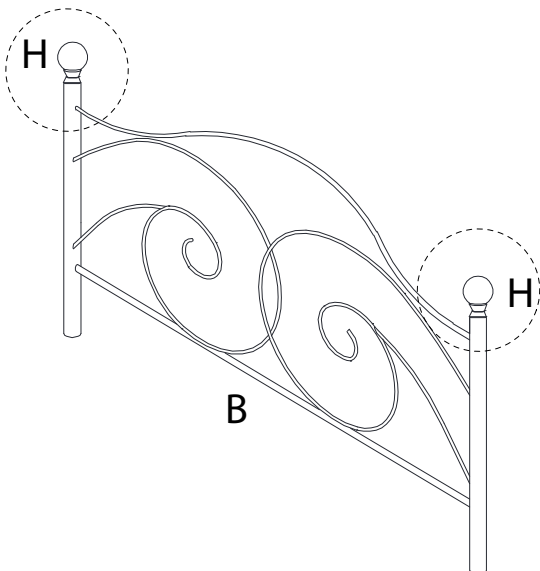
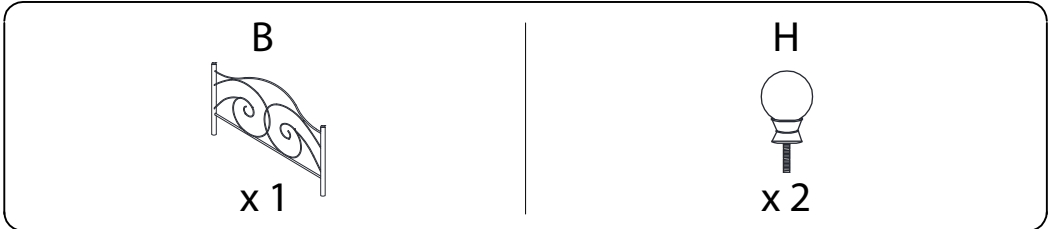


x 8

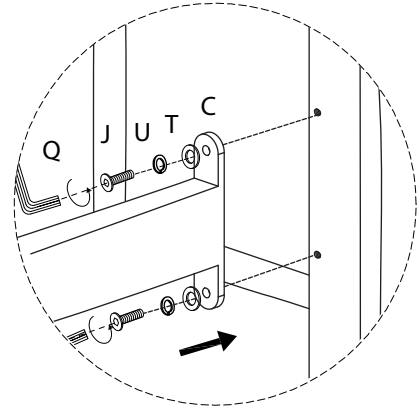
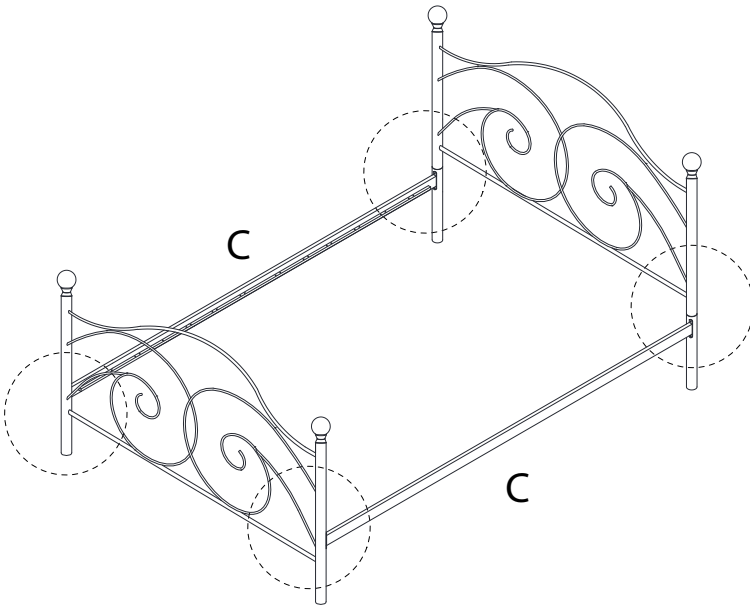
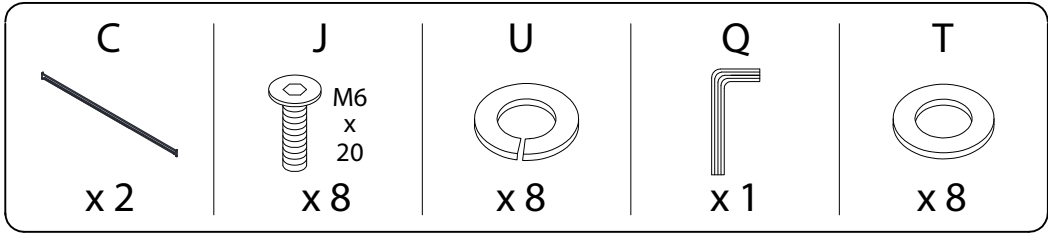
1



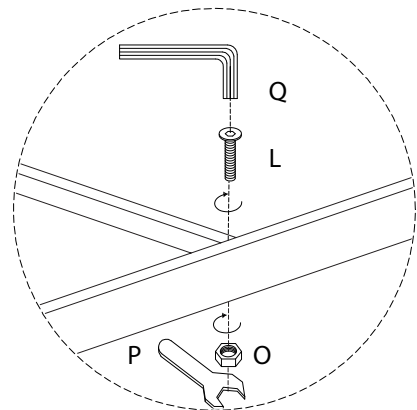
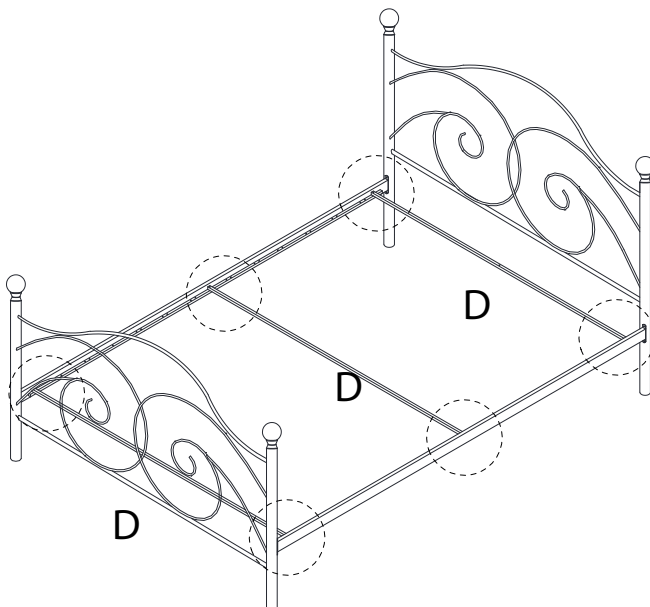
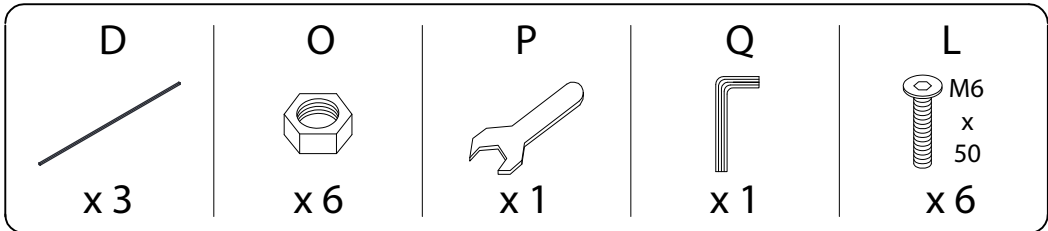
2




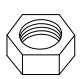
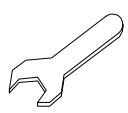
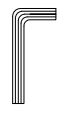
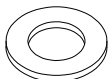
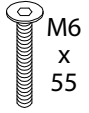
3

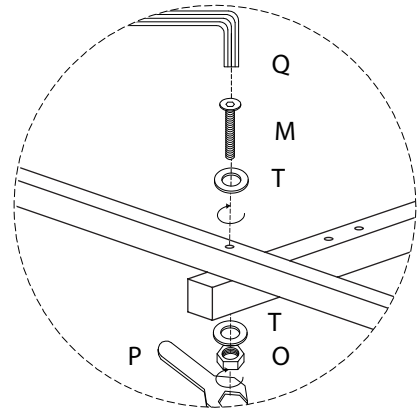
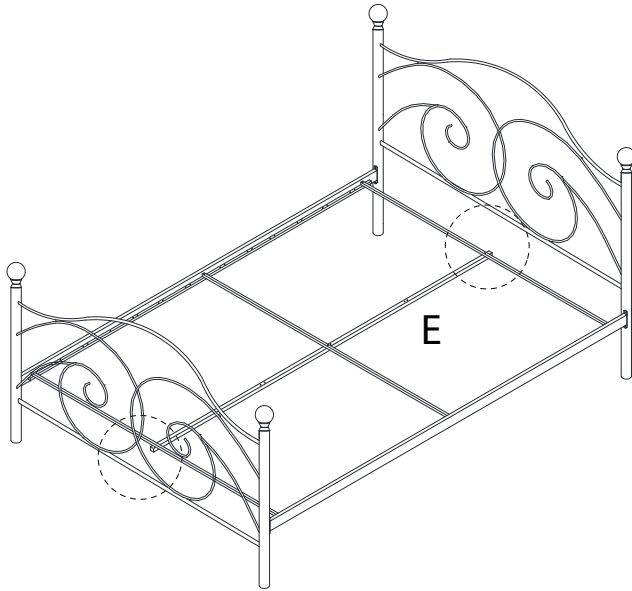


4

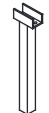
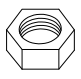
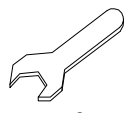
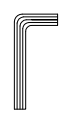
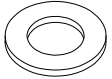
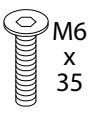
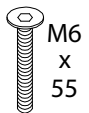


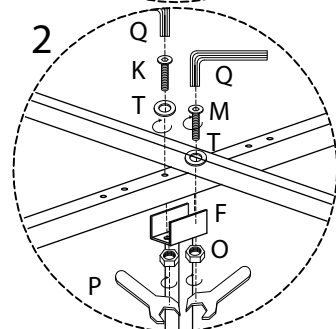
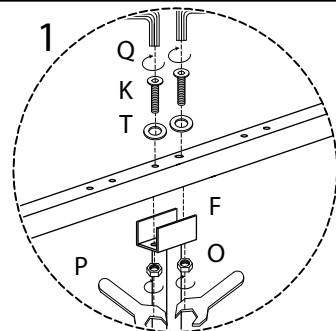
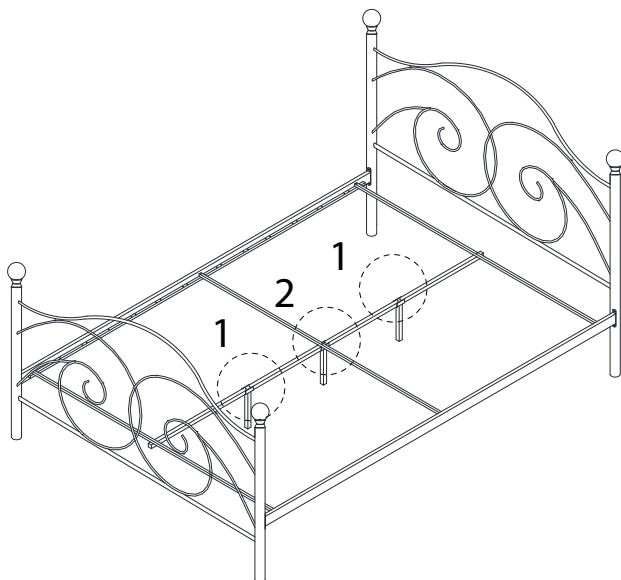
5

E	O	P	Q	T	M
					
x 1	x 2	x 1	x 1	x 4	x 2

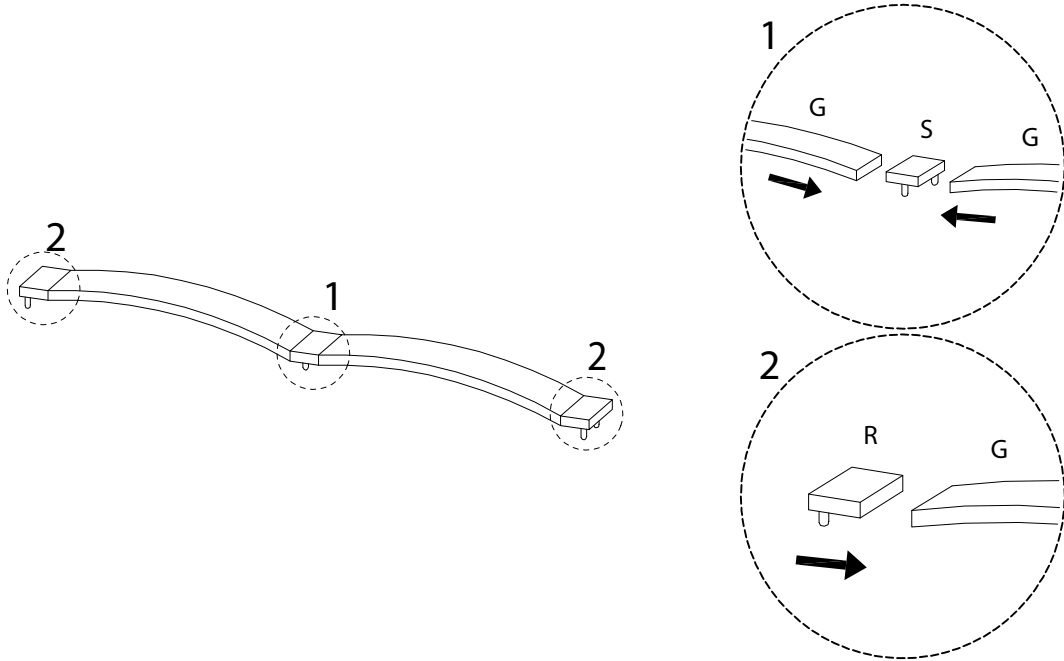
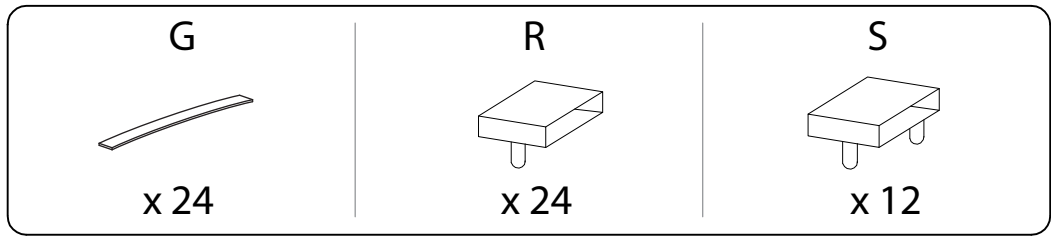


6

F	O	P	Q	T	K	M
						
x 3	x 6	x 1	x 1	x 6	x 5	x 1



7



8 x 12

